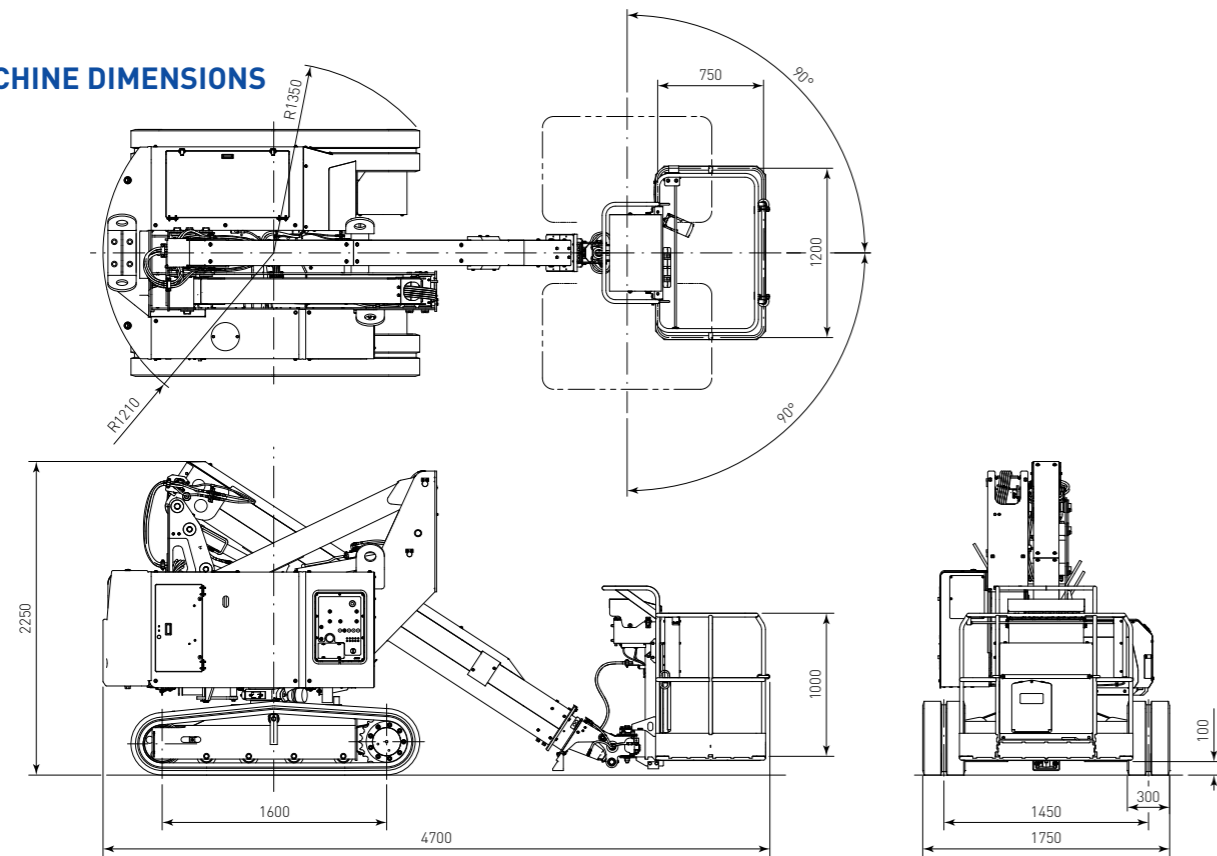
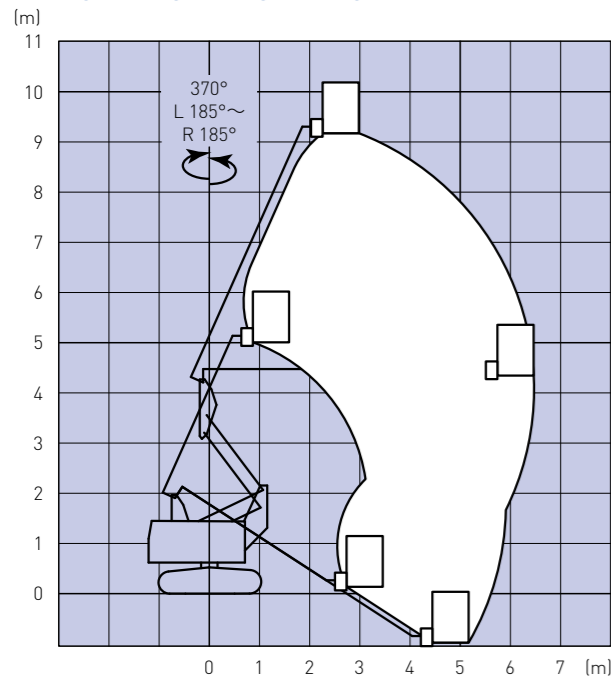


## MACHINE DIMENSIONS



\*Machine dimensions are in mm.

## WORKING RANGE DIAGRAM



- 1- Working range diagram does not include boom deflection.
- 2- Working range diagram is the same regardless of boom rotation angle.

## SPECIFICATIONS

MODEL TYPE AND NAME	
Model type	RU09A1SM
Model name	Crawler-mounted aerial work platform
PLATFORM	
Maximum load	200 kg
Maximum height	9.1 m
Maximum working radius	6.4 m
Maximum basket-to-ground height	4.1 m
Interior dimensions (W x D x H)	1.2 m x 0.7 m x 1.0 m
Swing angle	90° (left) - 90° (right)
ROTATION DEVICE	
Rotation angle	370° (185° (left) - 185° (right))
Rotation speed	1.0 rpm
TRAVEL MECHANISM	
Travel speed	0 - 1.3 km/h
Maximum climbing ability	20°
POWER SOURCE (maintenance-free battery)	
Input voltage	Single-phase 100 V
Battery voltage	48 V
Battery capacity	290 Ah
DIMENSIONS/WEIGHT	
Machine dimensions (W x H x L)	1.8 m x 2.3 m x 4.7 m (When retracted)
Machine weight	3900 kg

## AICHI CORPORATION

1152-10 Ryoke Ageo Saitama 362-8550 Japan  
TEL:+81-48-781-6907 URL:<https://www.aichi-corp.co.jp>

### Safety Instructions



- Operator of the machine must receive safety training to ensure safe operations. Incorrect use of the machine can cause serious injury or death. All personnel are requested to receive safety training and only trained and authorized personnel are permitted to operate the machine.
- Ultimate compliance to national safety regulations is the responsibility of the user and their employer.
- All owners and users of the machine must read, understand, and comply with all applicable regulations.

\*Due to continuous product improvements, we reserve the right to make specification and/or equipment changes without prior notice.

\*The photos and/or drawings in this brochure are for illustrative purpose only.

\*This information, while believed to be completely reliable, is not to be taken as a warranty for which we assume legal responsibility.

\*The photos shown are of machines with optional equipment.

\*Figures shown are reference values.

# MAXREACH RU09A1SM

class **9** m

Max. floor height  
**9.1** m

Max. working radius  
**6.4** m

Max. load capacity  
**200** kg

Machine weight  
**3900** kg

\*Machine weight may vary depending on options and/or local standards.



\*\*RU09A1SM with optional equipment pictured.



# RU09A1SM



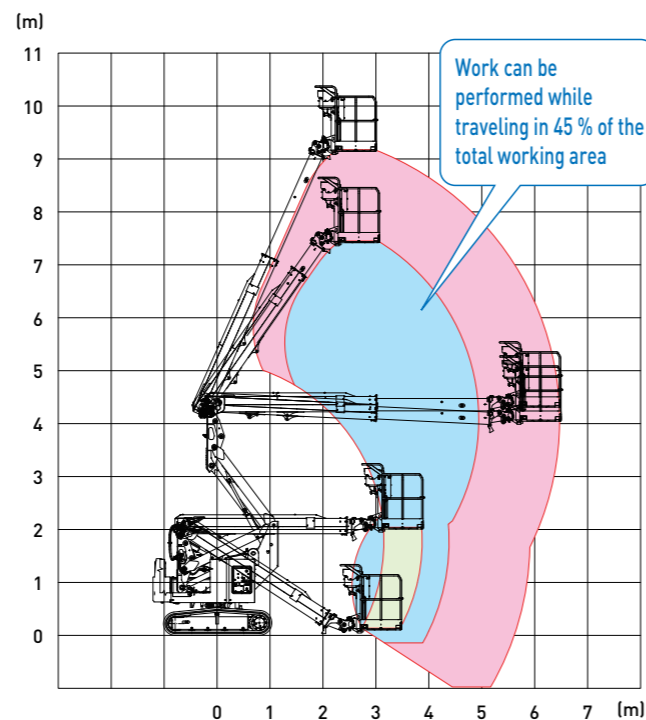
## New electric powered crawler-mounted aerial work platform with articulating boom!

RU09A1SM is a new crawler-mounted aerial work platform featuring an environmentally-friendly, battery-powered system suitable for indoor and outdoor use as well as a compact body design to improve work efficiency.

### Point 1 Ensures a wide working range when traveling

RU09A1SM is stable when traveling with a working posture. This feature provides reducing time for stowing boom when traveling.

- Work range with restricted traveling
- Work range with allowable traveling (low speed)
- Work range with allowable traveling (high speed)



\*Even when the platform is within the allowable travel range, traveling is restricted if the machine is tilted 3 degrees or more.

### Point 2 Object detection device OP

This device decelerates the operation speed or stops the machine when the ultrasonic sensor installed on the platform detects an object, reducing the risk of entanglement accidents.

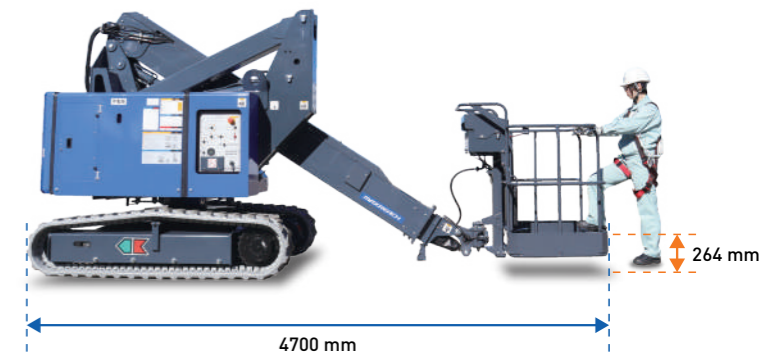
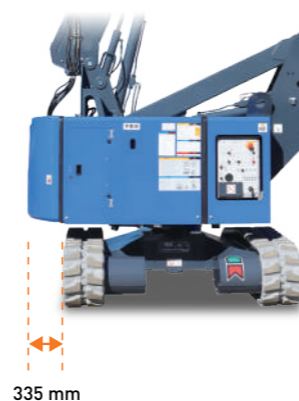


» Object detection device

### Point 3 Advantages of a compact body

The body size of RU09A1SM can reduce the risks of interference between itself and passing vehicles or surroundings.

The low platform entrance height makes it easier to get on/off. And also, the overall length of RU09A1SM contributes to reducing the storage space.

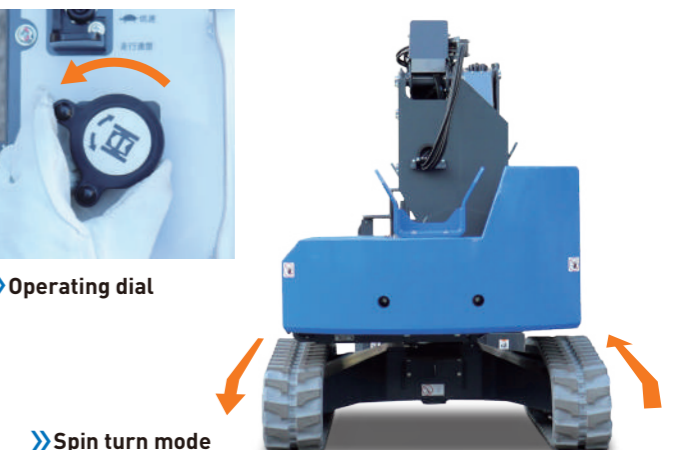


### Point 4 Proportional steering

This function controls the left and right crawler speed according to how much the steering dial is turned, allowing for smooth turning when driving. Turn the dial all the way to switch to "Spin turn mode" where the vehicle turns around in place, making it possible to turn within a limited space.



» Operating dial



» Spin turn mode

\*Optional equipment is indicated by the OP mark.  
\*The photos shown are of machines with optional equipment.