



Telescoping Crawler Crane

LC1385M-8B

Lifting Capacity : **6.0t × 2.6m**

Pick & Carry Duties : 2,000kg

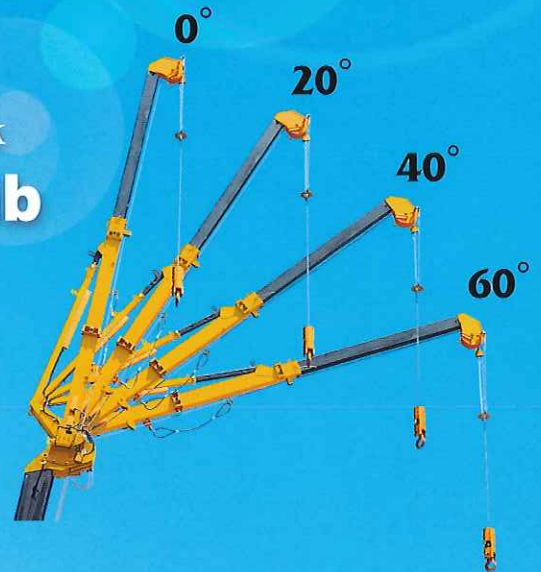
Minimal Tail Swing

Blade

4 Fall/2 Fall Hook Block

Available with **Fly Jib**

Rear View Camera



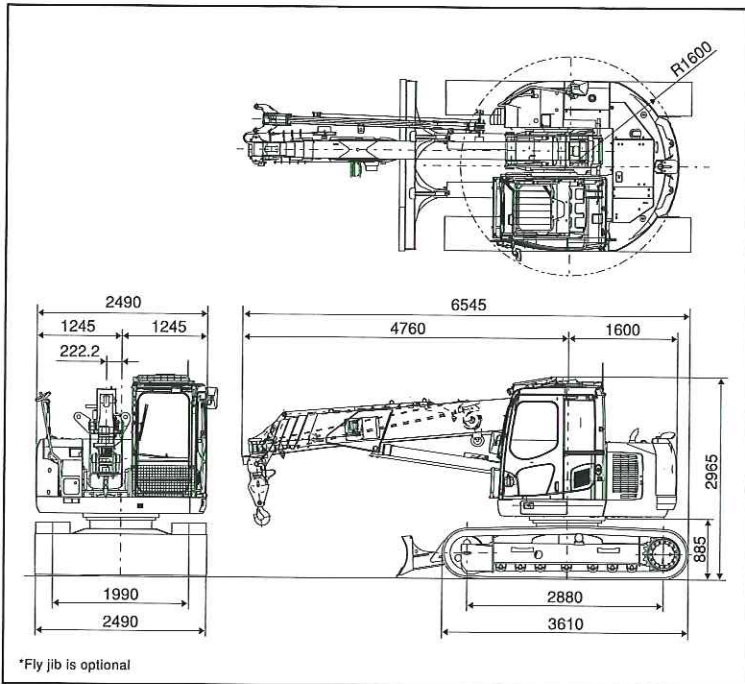
MAEDA

MAEDA Telescoping Crawler Crane LC1385M-8B

Specifications

| | | |
|-------------------------------------|---|---|
| Model | LC1385M-8B(F) | |
| Crane capacity | 6.0t × 2.6m | |
| Max. working radius | 16.10m × 0.43t | |
| Max. lifting height (on the ground) | 16.70m (22.0m with fly jib) | |
| Max. lifting height (underground) | -24.6m (4 falls)(-35.9m with 160m optional wire rope) | |
| Winch system | Hook speed | 28.0m/min [41.0m/min] (4 layers, 4 falls) |
| | Hoist wire rope | IWRC 6 × F(29) φ10mm × 115m |
| | Hoist wire rope (optional) | IWRC 6 × F(29) φ10mm × 160m (optional) |
| Telescoping system | Type | Fully automatic 5-section pentagonal telescopic boom |
| | Boom length | 4.745 ~ 16.265m |
| | Boom telescoping stroke / time | 11.52m/25sec |
| Boom hoist system | Hoist angle / time | -5~80deg/18sec |
| Swing system | swing angle / time | 360deg/3.4rpm |
| Travel system | Drive method | Both-side independent steering control, Hydraulic piston motor with built-in automatic brake, Planet reduction gears, Sprocket, Crawler |
| | Travel speed | 0~5.1km/h |
| | Gradability | 34deg |
| | Crawler ground length × width | 2,880 × 500mm |
| | Ground pressure | 53.3kpa [0.54kgf/cm ²] (54.1 [0.55] with fly jib) |
| Engine | Model | KOMATSU SAA4D95LE-5 |
| | Displacement | 3.260L [3,260cc] |
| | Rated output | 68.4kw/2,200min ⁻¹ [93PS/2,200rpm] |
| | Starting method | Electric starting |
| | Fuel / Fuel tank capacity | Diesel/195.0 L |
| Pick & Carry capacity | 2,000kg | |
| Overall length × width × height | 6,545 × 2,490 × 2,965mm | |
| Machine weight | 15,640kg (15,850kg with fly jib) | |
| Blade width × height | 2,490 × 590mm | |
| Safety device | Overwind protection, Hydraulic safety valve, Wire rope latch, Level, Safety lock lever, Machine body inclination alarm, EMO switch, Moment limiter, Rotary lamp, Side mirrors, Blade interlock device, Rear view camera | |
| Optional equipment | Rubber pads, Single fall hook, Fly jib | |

Dimensions



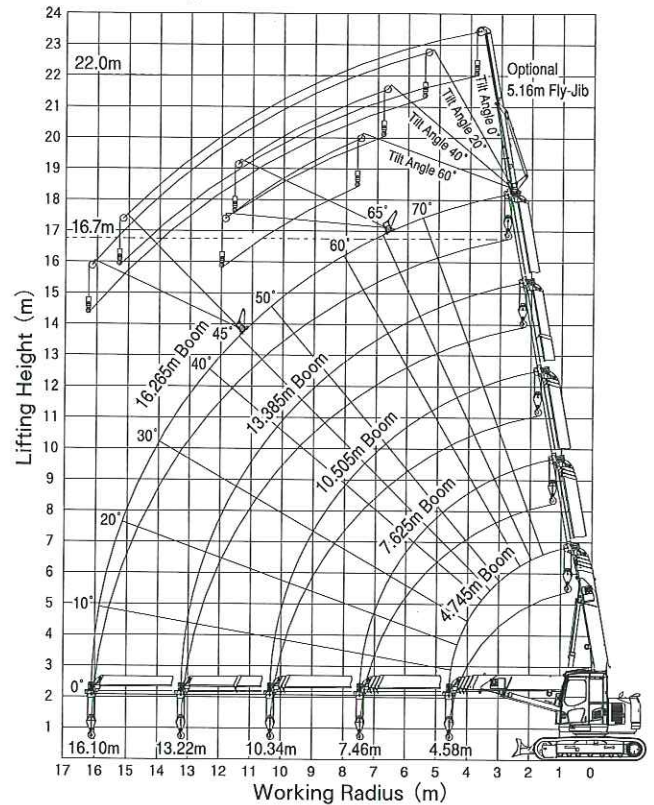
Total Rated Load Chart (4 falls)

unit:kg

| Working radius (m) | 4.745m Boom | | 7.625m Boom | | 10.505m Boom | | 13.385m Boom | | 16.265m Boom | |
|--------------------|-------------|--------------|-------------|--------------|--------------|--------------|--------------|--------------|--------------|--------------|
| | Stationary | Pick & Carry | Stationary | Pick & Carry | Stationary | Pick & Carry | Stationary | Pick & Carry | Stationary | Pick & Carry |
| 2.00 | 6000 | 2000 | 6000 | 2000 | 3000 | 1500 | | | | |
| 2.50 | 6000 | 2000 | 6000 | 2000 | 3000 | 1500 | 3000 | | | |
| 2.60 | 6000 | 2000 | 6000 | 2000 | 3000 | 1500 | 3000 | | | |
| 3.00 | 5250 | 2000 | 5260 | 2000 | 3000 | 1500 | 3000 | | | 2600 |
| 4.00 | 3830 | 1915 | 3820 | 1910 | 3000 | 1500 | 3000 | | | 2600 |
| 4.50 | 3320 | 1660 | 3310 | 1655 | 3000 | 1500 | 3000 | | | 2600 |
| 5.00 | | | 2880 | 1440 | 2710 | 1355 | 2640 | | | 2600 |
| 6.00 | | | 2210 | 1105 | 2140 | 1070 | 2100 | | | 2080 |
| 7.00 | | | 1720 | 860 | 1720 | 860 | 1710 | | | 1710 |
| 8.00 | | | | | 1400 | 700 | 1430 | | | 1430 |
| 9.00 | | | | | 1150 | 575 | 1200 | | | 1210 |
| 10.00 | | | | | 940 | 470 | 1020 | | | 1040 |
| 11.00 | | | | | | | 880 | | | 890 |
| 12.00 | | | | | | | 750 | | | 770 |
| 13.00 | | | | | | | 650 | | | 670 |
| 14.00 | | | | | | | | | | 580 |
| 15.00 | | | | | | | | | | 500 |
| 16.00 | | | | | | | | | | 440 |
| 16.10 | | | | | | | | | | 430 |

* The Total Rated Load Chart is based on the actual working radius including boom deflection.
 * The weight of hook block (standard 4 fall-90kg) must be included as part of the load shown in the Total Rated Load Chart.
 * When using two fall or single fall hooks, use the appropriate four fall Total Rated Load Chart above but with a maximum load of : Two fall-3000kg, Single fall-1500kg.

Working Range



Fly jib Total Rated Load Chart (Optional)

unit:kg

| Boom angle (deg) | Jib Tilt angle | | | |
|------------------|-------------------------|--------|--------|--------|
| | 0 deg | 20 deg | 40 deg | 60 deg |
| 80 | 820 | 820 | 620 | 620 |
| 75 | 820 | 820 | 620 | 620 |
| 70 | 720 | 720 | 520 | 520 |
| 65 | 620 | 620 | 420 | 420 |
| 60 | 520 | 520 | | |
| 55 | 420 | 420 | | |
| 50 | 320 | 320 | | |
| 45 | 220 | 220 | | |
| 40 | Prohibited under 45 deg | | | |

Prohibited under 65 deg

* The weight of hook block (single fall-20kg) must be included as part of the load shown in the Total Rated Load Chart.
 * The Total Rated Load Chart is same for both 1-section & 2-section of the fly jib length.

Before use, please read the Operation Manual

Due to improvements, the specifications are subject to change without notice.



MAEDA SEISAKUSHO CO.,LTD.

Head office | 1095, Onbegawa, Shinonoi, Nagano-City, Nagano-Pref. 388-8522 Japan
 TEL: 026-292-2228 FAX: 026-293-5590
 URL: <http://www.maesei.co.jp/> E-mail: maedasp@maesei.co.jp